

→ Series 352



■ SUITABLE FOR

Liquids	neutral and non-neutral	
Air, gases and vapours	neutral and non-neutral	
Steam		

■ EXAMPLES OF USE

For the protection of:

- pressure tanks and -systems for neutral / non-neutral vapours, gases and liquids
 - steam boilers and steam plants
 - bulk transport vehicles for liquid, granular and dusty goods¹
- Please observe plant-specific regulations and use of appropriate valve version and sealing material.

- pressure booster plants (water/air-side)
- fire-fighting equipment
- industrial- and commercial boiler plants
- power plant technology
- pump protection

Safety valves are set and sealed at the factory.



■ MATERIAL



■ SPECIFICATION



DN 40 and DN 50 – 10°C to + 350°C depending on version 0,5 – 16 bar

■ APPROVALS

TÜV-Type test approval 2007	D/G, F, F/K/S ¹
EC type examination	S/G, L, F/K/S ¹
TSG ZF001-2006	D/G (S/G), F (L), F/K/S ¹
KGS	G
TR ZU 032/2013 - TR ZU 010/2011	D/G (S/G), F (L), F/K/S ¹
Requirements	
AD 2000 Data sheet A2	DIN EN ISO 4126-1
TRD 421	PED 2014/68/EU
TRB 801 No. 22 and No. 23 ¹	KGS AA 319

Classification society	
Germanischer Lloyd	GL
Lloyd's Register EMEA	LR EMEA
American Bureau of Shipping	ABS
Det Norske Veritas	DNV
Bureau Veritas	BV
Russian Maritime Register of Shipping	RS

■ MATERIALS

Component	Material	DIN EN	ASME
Inlet body	Spheroidal graphite cast iron	0.7043	Gr. 60-40-18
Outlet body	Spheroidal graphite cast iron	0.7043	Gr. 60-40-18
Internal parts	Stainless steel	1.4404	316 L
Spring	Stainless steel	1.4310	302
Bellows (optional)	Stainless steel	1.4571	316 Ti

¹only for versions with bellows

Series 352 ■ VALVE VERSION

s	non-gastight version of spring housing	for neutral media without counter pressure.
b	with bellows	for neutral and non-neutral media and/or counter pressure up to 4 bar. Spring, moving parts and the environment are protected from being affected by the medium.
t	gastight version of spring housing	for neutral and non-neutral media without counter pressure. The environment is protected from being affected by the medium.
tb	gastight version with bellows	for neutral and non-neutral an particularly for flammable, toxic and environmentally hazardous media and/or counter pressure up to 4 bar. Spring, moving parts and the environment are protected from being affected by the medium. Double gastight.

■ MEDIUM

G	gaseous	Air, vapours, gases and - depending on safety valve version and seal - also for steam
F	liquid	The temperature of the medium under atmospheric pressure must not reach boiling point
GF	gaseous and liquid	Air, vapours, gases, steam and liquids

■ TYPE OF LIFTING MECHANISM

L	Standard with lifting lever
O	without lifting device

■ AVAILABLE NOMINAL DIAMETERS AND CONNECTION SIZES

Nominal diameter DN	40	50
Inlet	40	50
65	■	
80		■

■ CONNECTION TYPE INLET / OUTLET FLANGE CONNECTIONS

FL / FL	Standard	Flange connection / flange connection	DIN EN 1092 / DIN EN 1092
----------------	----------	---------------------------------------	---------------------------

■ SEALS

NBR	Nitrile rubber	Elastomere moulded seal with metallic support	-10°C to +130°C
EPDM	Ethylene propylene diene	Elastomere moulded seal with metallic support	-10°C to +170°C
FKM	Fluorocarbon	Elastomere moulded seal with metallic support	-10°C to +200°C
PTFE	Polytetrafluoroethylene	Flat seal	-10°C to +225°C
Against surcharge			
FFKM	Perfluorinated rubber	Elastomere moulded seal with metallic support	-10°C to +225°C
MD	Metal-to-metal sealing	Flat seal	-10°C to +350°C

■ OPTIONS

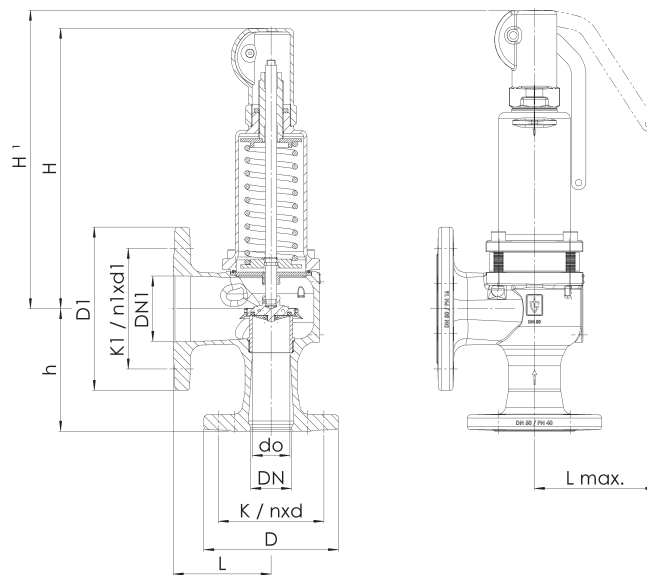
Special versions on request.	
Against surcharge	
Connection for condensate pipe G 1/4" with sealing plug	Order description: AKL

■ NOMINAL DIAMETERS, CONNECTIONS, INSTALLATION DIMENSIONS

Series 352: Connection, installation dimensions, ranges of adjustment			
Nominal diameter	DN	40	50
Connection DIN EN 1092	DN / PN	40 / 40	50 / 40
Outlet DIN EN 1092	DN / PN	65 / 16	80 / 16
Installation dimensions in mm	L	115	120
	Lmax	150	150
	H / H ¹	345 / 362	345 / 362
	h	140	150
	D	150	165
	D1	185	200
	K / nxd	110 / 4x18	125 / 4x18
	K1 / n1xd1	145 / 4x18	160 / 8x18
	do	37	46
Weight	kg / kg ¹	17 / 18	19 / 20
Range of adjustment	bar	0,5-16	0,5-16

¹Details for the version with bellows

■ MAIN DIMENSIONS, INSTALLATION DIMENSIONS



■ INDIVIDUAL SELECTION / VALVE CONFIGURATION

Series	Valve version	Medium	Lifting device	Nominal diameter DN	Connection type		Connection size		Seal	Options	Set pressure	Quantity
					Inlet	Outlet	Inlet	Outlet				
352	b	F	L	40	FL	FL	40	65	EPDM		6,5	3
352	s	G	L	50	FL	FL	50	80	PTFE	AKL	15,0	1
352					FL	FL						
352					FL	FL						

In this table you can configure a valve according to your individual requirements (similar to the *example* shown, which should be deleted before you enter your own data). Please complete the table by hand using the abbreviations in this datasheet and then fax it to: +49(0)7141.4889488
Please do not forget to add your personal data so that our sales team can contact you.

Name _____

First Name _____

Company _____

Telephone _____

E-Mail _____

■ CAPACITY TABLE

Series 352: Blowing-off rates at 10% above set pressure								
Nominal diameter DN		40			50			
Set pressure bar		I	II	III	I	II	III	III
Air I	0,5	667	503	23	995	750	36	
	1	983	785	32	1472	1176	49	
	1,5	1299	1032	39	1948	1547	60	
Steam II	2	1615	1273	45	2461	1939	69	
	2,5	1926	1510	50	2926	2294	77	
	3	2208	1726	55	3404	2661	85	
Water III	3,5	2491	1937	59	3839	2985	91	
	4	2773	2151	63	4275	3315	98	
	4,5	3056	2364	67	4710	3643	104	
	5	3338	2575	71	5146	3970	109	
	5,5	3621	2789	74	5581	4299	114	
	6	3903	3003	77	6016	4629	120	
	6,5	4186	3212	81	6452	4951	124	
	7	4468	3420	84	6887	5272	129	
	7,5	4751	3632	86	7323	5598	134	
	8	5033	3843	89	7758	5923	138	
	8,5	5316	4053	92	8194	6247	142	
	9	5598	4263	95	8629	6570	146	
	9,5	5881	4472	97	9064	6893	150	
	10	6163	4681	100	9500	7215	154	
	11	6728	5097	105	10371	7856	162	
	12	7293	5511	109	11241	8494	169	
13	7858	5928	114	12112	9138	176		
14	8423	6348	118	12983	9784	183		
15	8988	6763	122	13854	10425	189		
16	9553	7181	126	14725	11069	195		