

→ Series 669

■ SUITABLE FOR

Warm water 



■ EXAMPLES OF USE

For the protection of:
 - closed circuit water heaters for drinking water and process water.
 The safety valve assembly is installed in the cold water inlet of the hot water heater. The use of this compact valve assembly ensures that the correct order of the valves according to DIN 1988 is adhered to.

- water heaters for potable and process water and -storage tanks
- The safety valve of the valve assembly is set and sealed at the factory.**

■ APPROVALS

European Pressure Equipment Directive
Requirements
PED 2014/68/EU



■ MATERIAL



■ SPECIFICATION



1/2" and 3/4"



- 10°C to + 95°C



3,0 – 10 bar

■ MATERIALS

Component	Material	DIN EN	ASME
Inlet body	Gunmetal	CC499K	CC499K
Outlet body	Gunmetal	CC499K	CC499K
Internal parts	Brass	CW617N	CW617N
Spring	Spring steel with anti-rust protection	1.1200	ASTM A228

■ VALVE VERSION

s	Standard	consisting of: shut-off valve, dirt trap with fine stainless steel strainer, control screw for non-return valve, non-return valve, diaphragm safety valve with drain valve, threaded connections on both ends.
p	Version with pressure reducer	in addition to standard version equipped with a pressure reducer and a pressure gauge for the outlet pressure. For water pressures over 4,5 bar it is necessary to install a pressure reducer on the inlet side. The replaceable pressure reducing valve that is integrated in the safety valve assembly consists of a pressure-relieved single seat valve with stainless steel seat, strainer made of stainless steel and fabric-reinforced elastomere diaphragm.

■ MEDIUM

W	Warm water	Water heaters with temperatures $\leq 95^{\circ}\text{C}$
----------	------------	---

■ TYPE OF LIFTING MECHANISM

K	Standard with twist-type lifting mechanism
----------	--

■ AVAILABLE NOMINAL DIAMETERS AND CONNECTION SIZES

Nominal diameter DN	15	20
Inlet threaded connection	1/2" (15)	3/4" (20)
Outlet threaded connection	1/2" (15)	3/4" (20)

■ TYPE OF CONNECTION INLET / OUTLET THREADED CONNECTIONS

BSP-Tm / BSP-Tm	Standard threaded connections	Male thread BSP-T / Male thread BSP-T	DIN EN 10226, ISO 7-1 / DIN EN 10226, ISO 7-1
------------------------	-------------------------------	---------------------------------------	---

■ SEALS

EPDM / NBR	Ethylene propylene diene / Nitrile rubber	Elaatomere seals and diaphragm	-10°C to $+95^{\circ}\text{C}$
-------------------	---	--------------------------------	--

■ OPTIONS

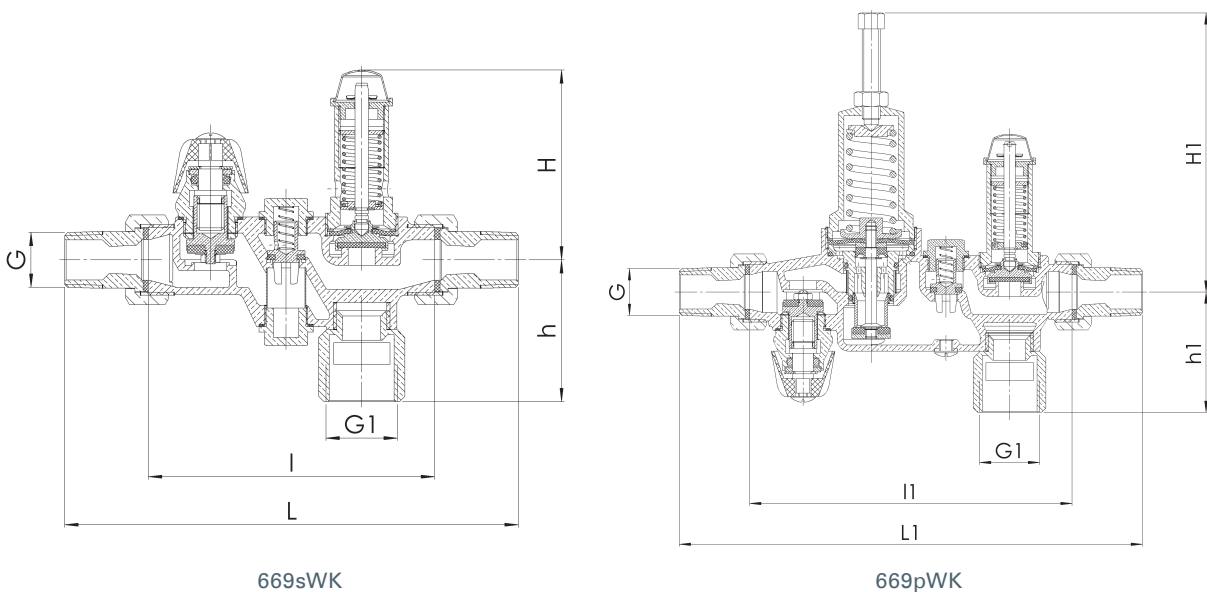
Against surcharge	
Galvanically nickel-plated + 25%	
Mirror finish chrome-plated + 40%	
Pressure gauge 36 (as standard for 669pWK)	Chapter Accessories

■ NOMINAL DIAMETERS, CONNECTIONS, INSTALLATION DIMENSIONS

Series 669: Connection, installation dimensions, ranges of adjustment			
Nominal diameter	DN	15	20
Inlet DIN EN 10226	G	1/2" (15)	3/4" (20)
Outlet DIN EN 10226	G	1/2" (15)	3/4" (20)
Installation dimensions in mm	L / L1	160 / 205	185 / 237
	l / l1	106 / 142	115 / 167
	H / H1	75 / 110	80 / 130
	h / h1	53 / 53	55 / 60
	G1	3/4"	1"
Weight	kg / kg1	1 / 1,4	1,3 / 2,2
Set pressure of the safety valve ¹			
– Standard	bar	6	6
– on request	bar	8; 10	8; 10
Pressures for pressure reducer at Version pWK			
– Inlet pressure up to	bar	25	25
– Outlet pressure (pre-set ¹)	bar	1-7 (4,5)	1-7 (4,5)
for contents in litres up to	l	200	1000

¹Other set pressures available on request against surcharge

■ MAIN DIMENSIONS, INSTALLATION DIMENSIONS



■ INDIVIDUAL SELECTION / VALVE CONFIGURATION

Series	Valve version	Medium	Lifting device	Nominal diameter DN	Connection type		Connection size		Seal	Options	Set pressure	Quantity
					Inlet	Outlet	Inlet	Outlet				
669	p	W	K	20	BSP-T m	BSP-T m	20	20	EPDM / NBR		10,0	5
669	s	W	K	15	BSP-T m	BSP-T m	15	15	EPDM / NBR	HV, Manometer	6,0	1
669		W	K		BSP-T m	BSP-T m			EPDM / NBR			
669		W	K		BSP-T m	BSP-T m			EPDM / NBR			

In this table you can configure a valve according to your individual requirements (similar to the *example* shown, which should be deleted before you enter your own data). Please complete the table by hand using the abbreviations in this datasheet and then fax it to: +49(0)7141.4889488
Please do not forget to add your personal data so that our sales team can contact you.

First Name _____

Name _____

Company _____

Telephone _____

E-Mail _____