

Pressure relief valves made of gunmetal, with lever and weight, angle-type with threaded connections

→ Series 601

■ SUITABLE FOR

Liquids	neutral	
Air, gases and vapours	neutral	
Steam		

■ EXAMPLES OF USE

For the protection of:

- pressure tanks/-systems for neutral vapours, gases and liquids
- steam boilers and steam plants

if proportional opening characteristics and only small blow-off volumes are required (i.e. protection in the case of expansion due to heating-up). Please observe plant-specific regulations and use of appropriate valve version and sealing material.

- Industrial and commercial boilers



■ MATERIAL



■ SPECIFICATION



1/2" – 2"



– 60°C to + 225°C
depending on version



1,5 – 16 bar
depending on version

■ APPROVALS

European Pressure Equipment Directive

TR ZU 032/2013 - TR ZU 010/2011

Requirements

PED 2014/68/EU

■ MATERIALS

Component	Material	DIN EN	ASME
Inlet body	Gunmetal	CC499K	CC499K
Outlet body	Gunmetal	CC499K	CC499K
Internal parts	Brass / Gunmetal	CW617N / CC499K	CW617N / CC499K
Lever	Stainless steel	1.4301	304

■ VALVE VERSION

s	Standard, non-gastight version	for neutral media without counter pressure. With lever and weight(s)
----------	--------------------------------	---

■ MEDIUM

GF	gaseous and liquid	Air, vapours, gases, liquids and - depending on seal - also for steam
-----------	--------------------	---

■ TYPE OF LIFTING MECHANISM

L	Lifting by lever. Disc can be lifted and turned.	
----------	--	--

■ AVAILABLE NOMINAL DIAMETERS AND CONNECTION SIZES

Nominal diameter DN	15	20	25	32	40	50
Inlet	1/2" (15)	3/4" (20)	1" (25)	1 1/4" (32)	1 1/2" (40)	2" (50)
Outlet	1/2" (15)	■				
	3/4" (20)		■			
	1" (25)			■		
	1 1/4" (32)				■	
	1 1/2" (40)					■
	2" (50)					

■ TYPE OF CONNECTION INLET / OUTLET THREADED CONNECTIONS

f / f	Standard	Female thread BSP-P / Female thread BSP-P	DIN EN ISO 228-1 / DIN EN ISO 228-1
--------------	----------	---	-------------------------------------

■ SEALS

NBR	Nitrile rubber	Elastomere flat seal	-30°C to +130°C
PTFE	Polytetrafluoroethylene	Flat seal	-60°C to +225°C

■ OPTIONS

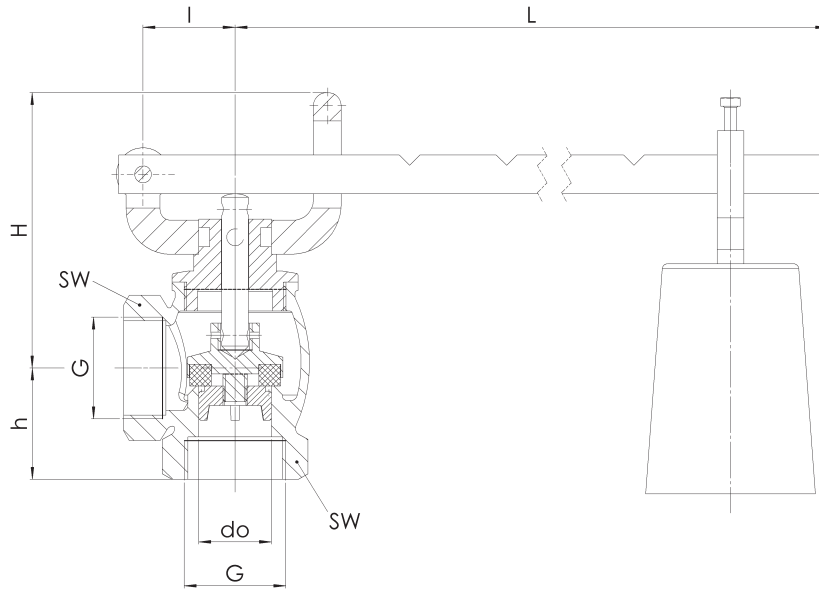
Against surcharge	Other pressure ranges according to table of counterweights		
--------------------------	--	--	--

■ NOMINAL DIAMETERS, CONNECTIONS, INSTALLATION DIMENSIONS

Series 601: Connection, installation dimensions, ranges of adjustment							
Nominal diameter	DN	15	20	25	32	40	50
Connection DIN EN ISO 228	G	1/2" (15)	3/4" (20)	1" (25)	1 1/4" (32)	1 1/2" (40)	2" (50)
Outlet DIN EN ISO 228	G	1/2" (15)	3/4" (20)	1" (25)	1 1/4" (32)	1 1/2" (40)	2" (50)
Installation dimensions in mm	L	250	300	380	500	490	600
	I	30	30	40	50	50	65
	H	74	85	100	115	120	150
	h	30	35	41	45	51	60
	SW	28	34	41	52	58	70
	do	13	19	25	30	38	50
Weight der Armatur	kg	0,47	0,69	1,2	1,86	2,3	3,75
Counterweight standard	kg	0,67	1,36	2,2	2,2	3,55	6,5
Range of adjustment ¹	bar	2 - 6	2 - 6	2 - 6	1,5 - 4	1,5 - 4	1,5 - 4

¹Depending on nominal diameter the valves are also available up to 12 bar or 16 bar against surcharge. See table counterweights.

■ MAIN DIMENSIONS, INSTALLATION DIMENSIONS



■ INDIVIDUAL SELECTION / VALVE CONFIGURATION

Series	Valve version	Medium	Lifting device	Nominal diameter DN	Connection type		Connection size		Seal	Options	Pressure range / set pressure	Quantity
					Inlet	Outlet	Inlet	Outlet				
601	s	GF	L	50	f	f	50	50	PTFE		1,5 - 4,0	5
601	s	GF	L		f	f						
601	s	GF	L		f	f						
601	s	GF	L		f	f						

In this table you can configure a valve according to your individual requirements (similar to the *example* shown, which should be deleted before you enter your own data). Please complete the table by hand using the abbreviations in this datasheet and then fax it to: +49(0)7141.4889488
Please do not forget to add your personal data so that our sales team can contact you.

Name _____

First Name _____

Company _____

Telephone _____

E-Mail _____

■ CAPACITY TABLE

Series 601: Blowing-off rates at approx. 10% above set pressure																			
Nominal diameter DN		15			20			25			32			40			50		
Set pressure bar		I	II	III	I	II	III	I	II	III	I	II	III	I	II	III	I	II	III
Air I Nm ³ /h	0,5	6	5	0,2	13	21	0,5	24	19	0,8	33	27	1,1	54	44	1,9	98	77	3,3
	1	8	6	0,3	18	28	0,6	32	26	1,2	44	36	1,6	72	58	2,6	130	102	4,7
	1,5	10	8	0,4	22	34	0,8	40	32	1,4	55	45	2,0	90	72	3,2	163	127	5,8
Steam II kg/h	2	24	19	0,8	52	41	1,8	96	75	3,3	132	100	4,6	217	170	7,4	390	300	13,3
	2,5	28	22	0,9	61	48	2,0	112	87	3,7	154	116	5,1	253	197	8,3	455	348	14,9
	3	32	25	1,0	70	54	2,2	128	99	4,0	176	132	5,6	289	225	9,1	520	397	16,3
Water III m ³ /h	3,5	36	28	1,1	79	61	2,4	144	111	4,4	198	148	6,0	325	252	9,8	585	444	17,6
	4	40	31	1,2	87	67	2,6	160	123	4,7	220	164	6,4	362	279	10,5	650	492	18,8
	4,5	44	34	1,2	96	74	2,7	176	135	5,0	242	180	6,8	398	306	11,1	715	540	19,9
	5	48	37	1,3	105	80	2,9	192	147	5,2	264	196	7,2	434	333	11,7	780	588	21,0
	5,5	52	40	1,4	114	87	3,0	208	159	5,5	286	212	7,5	470	360	12,3	845	635	22,0
	6	56	43	1,4	122	93	3,2	224	171	5,7	308	228	7,9	506	387	12,9	910	684	23,0
	6,5	60	46	1,5	131	100	3,3	240	183	6,0	330	243	8,2	542	414	13,4	975	731	24,0
	7	64	49	1,6	140	106	3,4	256	194	6,2	352	259	8,5	578	440	13,9	1040	777	24,9
	7,5	68	52	1,6	149	113	3,5	272	206	6,4	374	275	8,8	615	467	14,4	1105	825	25,7
	8	72	55	1,7	157	119	3,7	288	218	6,6	396	291	9,1	651	494	14,9	1170	872	26,6
	8,5	76	58	1,7	166	126	3,8	304	230	6,8	418	306	9,4	687	521	15,3	1235	919	27,4
	9	80	61	1,8	175	132	3,9	320	242	7,0	440	322	9,7	723	548	15,8	1300	966	28,2
	9,5	84	64	1,8	184	138	4,0	336	253	7,2	462	338	9,9	759	574	16,2	1365	1014	29,0
10	88	70	1,9	193	150	4,1	355	275	7,4	487	380	10,2	787	620	16,6	1411	1060	29,7	
11	96	76	1,9	211	163	4,3	388	299	7,7	531	414	10,7	858	675	17,4	1539	1154	31,2	
12	104	82	2,0	228	176	4,5	420	323	8,1	575	447	11,2	930	729	18,1	1667	1247	32,6	
13	112	89	2,1	246	189	4,7	452	348	8,4	619	481	11,7	1001	784	18,8	1796	1341	33,9	
14	120	95	2,2	263	203	4,9	485	372	8,7	663	514	12,1	1073	839	19,6	1924	1435	35,2	
15	128	101	2,3	281	216	5,0	517	396	9,1	708	548	12,5	1144	894	20,2	2052	1528	36,4	
16	136	107	2,3	298	229	5,2	549	420	9,4	752	582	12,9	1216	949	20,9	2180	1622	37,6	

■ COUNTERWEIGHT

Series 601: Counterweight							
Nominal diameter	DN	15	20	25	32	40	50
Pressure range	Weight, kg						
1,5 - 4 bar		-	-	-	2,2	3,55	6,5
2 - 6 bar		0,67	1,36	2,2	3,55	4,75	9
3 - 8 bar		0,67	1,36	3,55	4,75	9	-
4 - 10 bar		0,67	2,2	3,55	4,75	9	-
4 - 12 bar		1,36	2,2	4,75	4,75	9	-
5 - 15 bar		1,36	2,2	4,75	9	-	-
6 - 16 bar		1,36	2,2	4,75	9	-	-